

Drinking Water Filter

System Components

Cartridge

Model 9306B: Aesthetic Chlorine, Taste and Odor Removal
 Activated Carbon Block

Model 9308A: Aesthetic Chlorine, Taste and Odor, Lead, MTBE
 and VOC..... Activated Carbon Block

System Controller..... None

Frame.....Anodized Aluminum

Inlet Water Quality

Pressure..... 20 – 120 psi Dynamic Pressure

Temperature Range 35 – 100° F

pH Range 3 – 11 SU

Free Chlorine Cl₂ (Max.) 4.0 mg/L

Total Dissolved Solids, TDS (Max.) N/A

Operating Specs

Filter Production 500 gallons

Dimensions (Width x Depth x Height) 5" x 5" x 15"

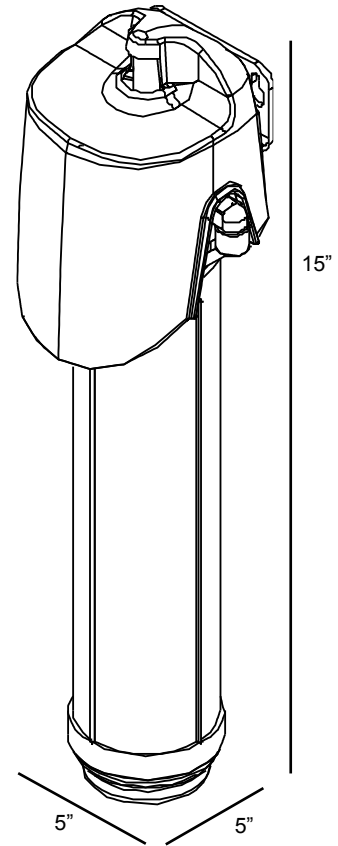
Weight (Operating / Shipping)..... 3 / 1 lbs.

Connections

Inlet 0.250" Tube

Outlet 0.250" Tube

Power None



System Part Numbers

Model 7000 Drinking Water Filter with Aesthetic Chlorine, Taste and Odor Cartridge 4049A

Model 7500 Drinking Water Filter with Aesthetic Chlorine, Taste and Odor, Lead, MTBE and VOC Cartridge 4050A



Kinetico Drinking Water Filters (Models 7000 and 7500) with MACguard are Tested and Certified by WQA against NSF/ANSI 42, 372 and CSA Standard B483.1. Model 7500 is also Tested and Certified by WQA against NSF/ANSI 53. Model 7500 conforms to NSF/ANSI 53 for VOC reduction. See Performance Data Sheet for individual contaminants and reduction performance. **DO NOT USE WITH WATER THAT IS MICROBIOLOGICALLY UNSAFE OR OF UNKNOWN QUALITY WITHOUT ADEQUATE DISINFECTION BEFORE OR AFTER THE SYSTEM.**

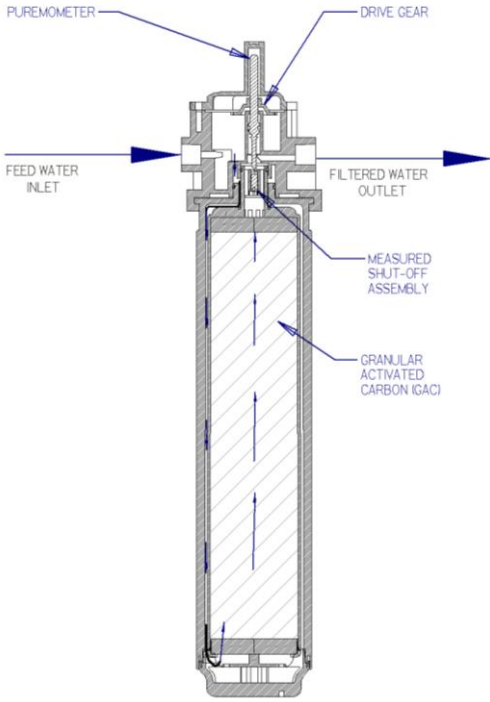
California Dept. of Public Health Certification No. 1772 for Model 7500.

IMPORTANT NOTICE: READ THE MANUFACTURER'S PERFORMANCE DATA SHEET for individual contaminants and reduction performance, conditions of use and health claims certified by the California Dept. of Public Health, and replacement parts.

Drinking Water Filter

MAC Operating Profile

A Kinetico Metered Automatic Cartridge (MAC™) uses a unique system to measure the amount of water actually treated and to force replacement of the filter cartridge after a predetermined amount of water has been used. After approximately 500 gallons of water have been used, MAC will automatically shut off. Cartridge replacement is required to restore water flow.



Activated Carbon Block Cartridge (GX)

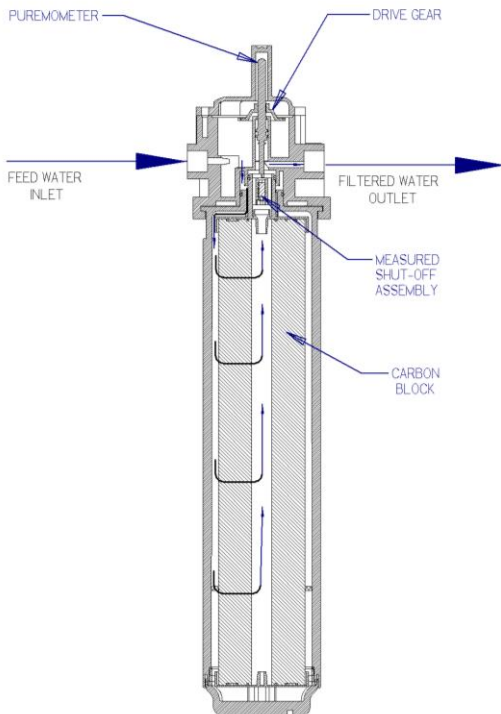
Unfiltered water flows into the Feed Water Inlet and flow is directed past the turbine.

The turbine is connected to gearing that gradually closes the Measured Shutoff Assembly. When approximately 500 gallons have passed through the filter, the Measured Shutoff Assembly is closed, preventing any more water from flowing through the filter.

The filter cartridge must be replaced to allow any further water flow. The water passes down through the center of the filter and through a sediment filter at the bottom of the filter assembly.

Next, the water flows through the Activated Carbon Block for the primary filtering operation.

Water then flows through two more filters at the top of the filter assembly, through the flow control orifice and out through the Filtered Water Outlet for use.



Carbon Block (C/B) Cartridge (VX)

Unfiltered water flows into the Feed Water Inlet and flow is directed past the Turbine.

The turbine is connected to gearing that gradually closes the Measured Shutoff Assembly. When approximately 500 gallons have passed through the filter, the Measured Shutoff Assembly is closed, preventing any more water from flowing through the filter.

Water passes into the outside of the filter assembly and through the Carbon Block of the filter assembly.

Water then flows up into the center of the filter, through the Flow Control orifice and out through the Filtered Water Outlet for use.